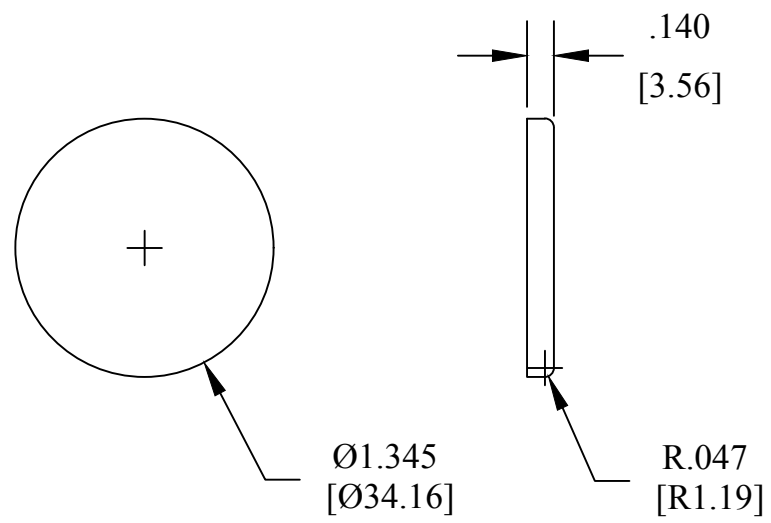


2083.140

DATE	REVISION DESCRIPTION	AUTH



[] = MM

TOLERANCES	COSMETIC PAN		
INCH: ±.005 [±.13]	FELDWARE INC		
Radius: ±.010 [±.25]	DRAWN BY: DF	CODE: XXX-XXX-XXX-XXX	
	DATE: JULY 30, 2018		
	MATERIAL: 28 GAUGE TINPLATE	SCALE: 1:1	TOOL NUMBER: 2083.140

THIS DOCUMENT CONTAINS CONFIDENTIAL AND PROPRIETARY INFORMATION THAT CANNOT BE REPRODUCED OR DIVULGED, IN WHOLE OR IN PART, WITHOUT WRITTEN AUTHORIZATION FROM FELDWARE INC