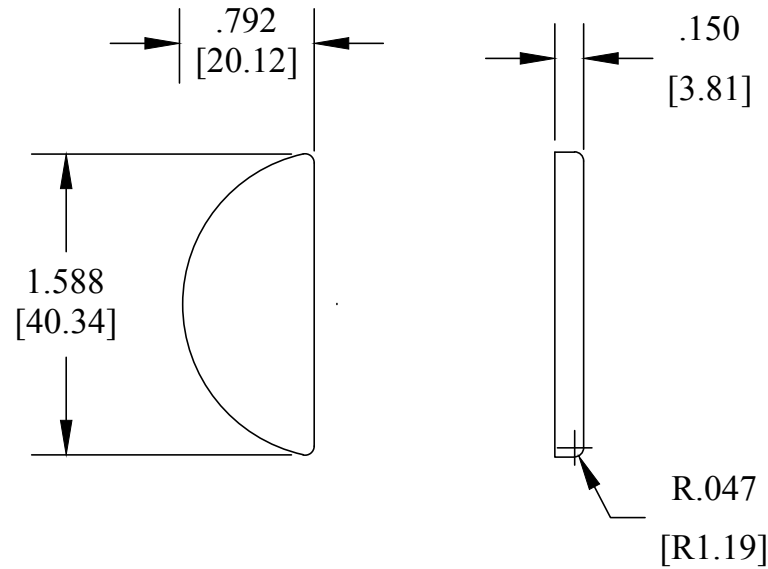


1799.150

DATE	REVISION DESCRIPTION	AUTH



[ ] = MM

TOLERANCES	COSMETIC PAN		
INCH: ±.005 [±.13]	<b>FELDWARE INC</b>		
Radius: ±.010 [±.25]	DRAWN BY: DF	CODE: XXX-XXX-XXX-XXX	
	DATE: JULY 30, 2018		
	MATERIAL: xxxxxxx-xxxxxx	SCALE: 1:1	TOOL NUMBER: 1799.150

THIS DOCUMENT CONTAINS CONFIDENTIAL AND PROPRIETARY INFORMATION THAT CANNOT BE REPRODUCED OR DIVULGED, IN WHOLE OR IN PART, WITHOUT WRITTEN AUTHORIZATION FROM FELDWARE INC