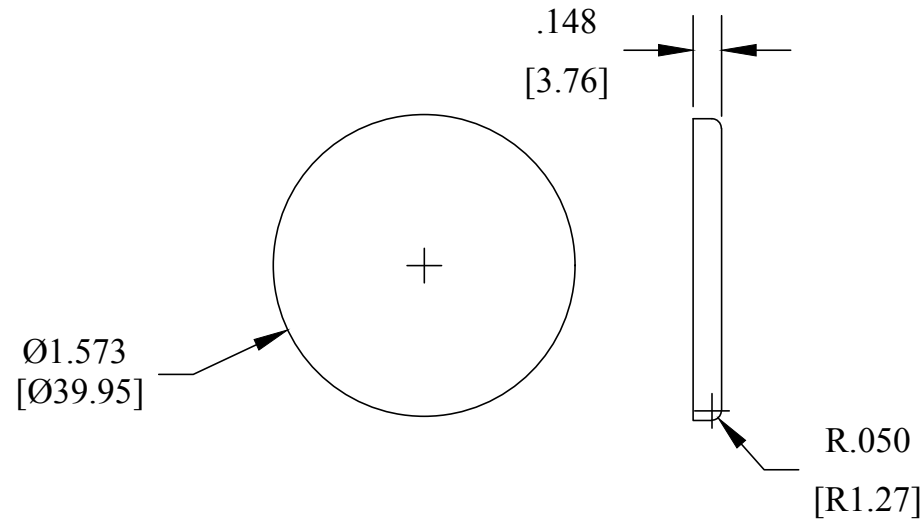


1344.148

DATE	REVISION DESCRIPTION	AUTH



[] = MM

TOLERANCES	COSMETIC PAN		
INCH: ±.005 [±.13]	FELDWARE INC		
Radius: ±.010 [±.25]	DRAWN BY: DF	CODE: XXX-XXX-XXX-XXX	
	DATE: JULY 30, 2018		
	MATERIAL: xxxxxxx-xxxxxx	SCALE: 1:1	TOOL NUMBER: 1344.148

THIS DOCUMENT CONTAINS CONFIDENTIAL AND PROPRIETARY INFORMATION THAT CANNOT BE REPRODUCED OR DIVULGED, IN WHOLE OR IN PART, WITHOUT WRITTEN AUTHORIZATION FROM FELDWARE INC