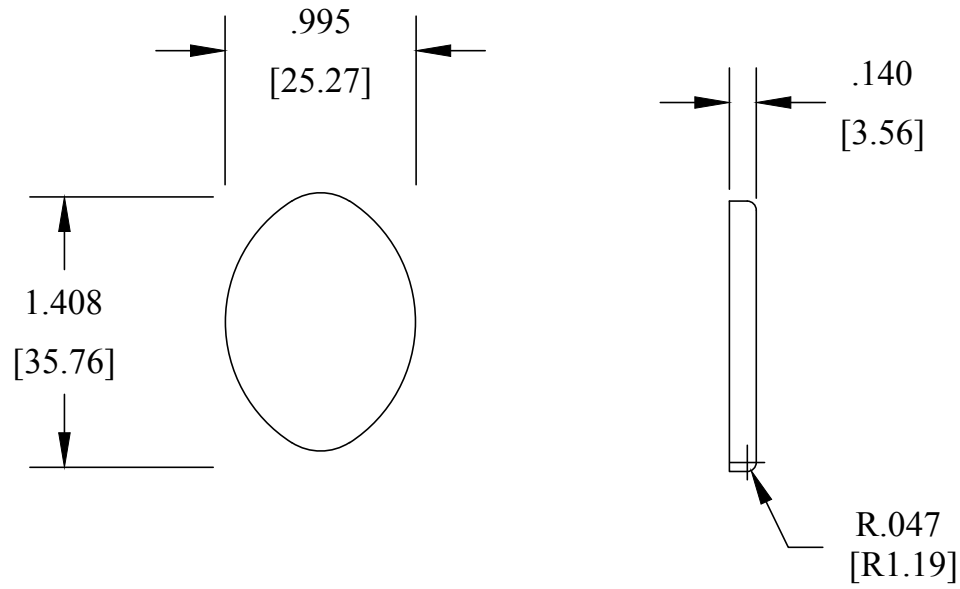


1158.140

| DATE | REVISION DESCRIPTION | AUTH |
|------|----------------------|------|
| | | |
| | | |
| | | |
| | | |
| | | |



[] = MM

| TOLERANCES | COSMETIC PAN | | |
|-------------------------|--------------------------------|--------------------------|--------------------------|
| INCH: ±.005 [±.13] | FELDWARE INC | | |
| Radius: ±.010 [±.25] | DRAWN BY: DF | CODE: XXX-XXX-XXX-XXX | |
| | DATE: NOVEMBER 1, 1974 | | |
| | MATERIAL: 28 GAUGE TINPLATE | SCALE: 1:1 | TOOL NUMBER: 1158.140 |

THIS DOCUMENT CONTAINS CONFIDENTIAL AND PROPRIETARY INFORMATION THAT CANNOT BE REPRODUCED OR DIVULGED, IN WHOLE OR IN PART, WITHOUT WRITTEN AUTHORIZATION FROM FELDWARE INC