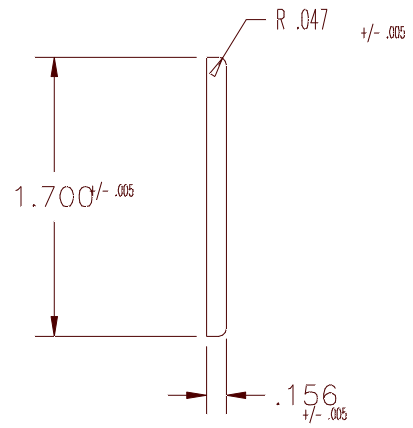
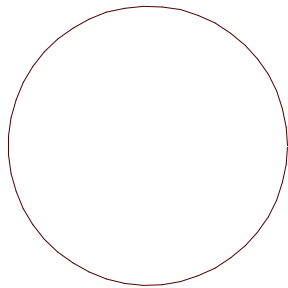


REV.	DESCRIPTION	BY	DATE	1142-156
-	REDRAWN IN AUTOCAD	CF	08/24/06	



SCALE: Full	COSMETIC PAN	DRAWN BY: C. F.
DATE: 08/24/06	FELDWARE, INC.	
250 AVENUE W - BROOKLYN, NY 11223-0007		
MATL: 28 GAGE TINPLATE	PART #	
	1142-156	