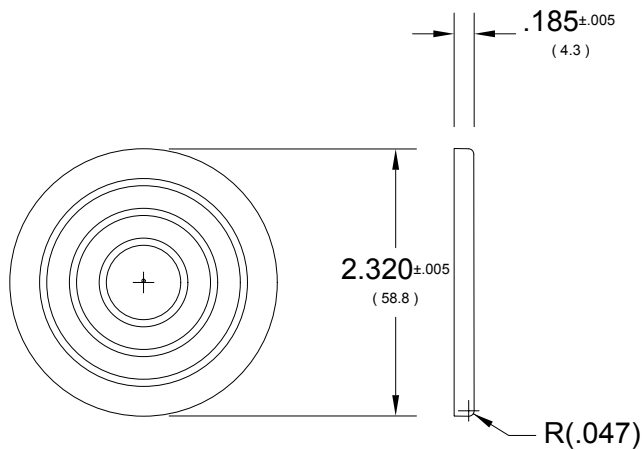


1016



NOTE: 3 CONCENTRIC RINGS
DIAMETERS: 1.75(44.45)
1.25(31.75)
0.75(19.05)

COSMETIC PAN			
FELDWARE INC. 250 Ave.W, Brooklyn NY 11223			
Unit: Inch	Date: 3/30/11	Drawn by: CF	Code:
Material: 28 Gg. Tinplate-SBF			1016